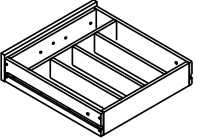
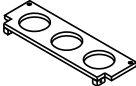
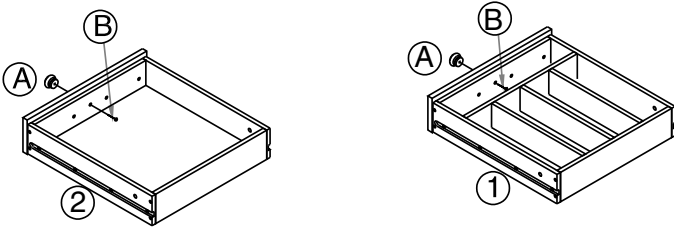
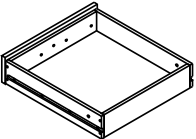

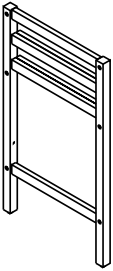
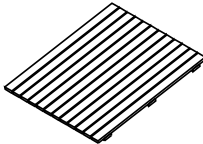
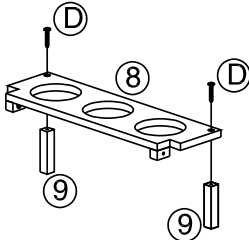
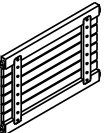
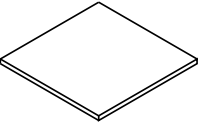

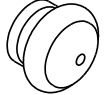
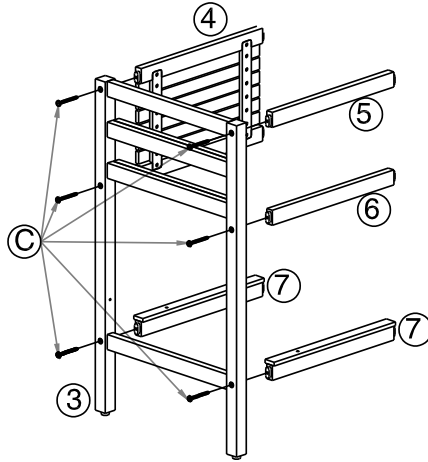



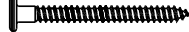





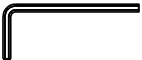


<p>①  x1</p>	<p>⑧  x1</p>	<p>Ⅰ </p>
<p>②  x1</p>	<p>⑨  x2</p>	
<p>③  x2</p>	<p>⑩  x1</p>	<p>Ⅱ </p>
<p>④  x1</p>	<p>⑪  x1</p>	
<p>⑤  x1</p>	<p>Ⓐ  x2</p>	<p>Ⅲ </p>
<p>⑥  x1</p>	<p>Ⓑ  M7x70 mm x2</p>	
<p>⑦  x2</p>	<p>Ⓒ  M7x70 mm x12</p>	
	<p>Ⓓ  M6x40 mm x2</p>	
	<p>Ⓔ  M6x70 mm x2</p>	
	<p>Ⓕ  x1</p>	
	<p>Ⓖ  M4x20 mm x4</p>	
	<p>Ⓗ  x4</p>	
	<p>Ⓘ  x2</p>	

